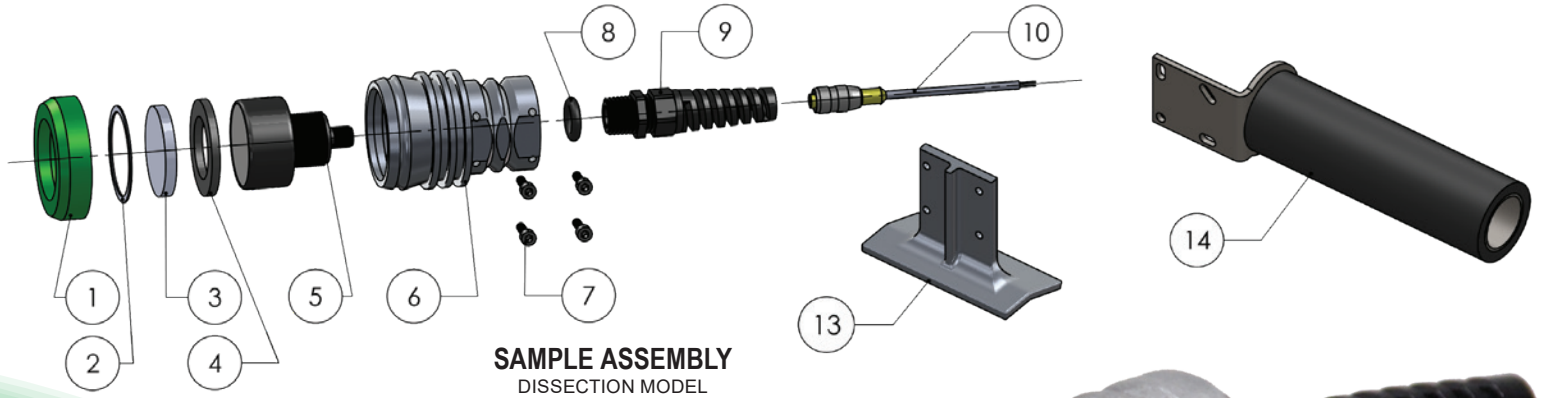


# MODEL 3500 LED

## Field-Repairable LED Blast Light



April 2018



### Product Features

Light Output	Light Output: <b>295 Lumens</b>
	Brightness @ 48": <b>3110 Lux @ 8.5" Diameter</b>
Light Source	Emitter Type: <b>LED</b>
	Color Temperature: <b>+5500K</b>
Power	Power Consumption: <b>~4 Watts</b>
	Voltage Range: <b>12-30 VDC</b>
Housing	Light Body: <b>Cast Aluminum</b>
	Length: <b>4 3/8"</b>
	Width: <b>2 5/8"</b>
	Diameter: <b>2 5/8"</b>
Accessories & Parts (see Sample Assembly pic)	Weight: <b>20 oz.</b>
	<b>1: Front Bumper</b> ( Replaceable )
	<b>3: Heat Treated Lens-</b> [ 6 Pack of Replacement Lenses ( 3 ) ]
	<b>2, 4, 5: LED Module Kit</b> ( Replaceable ) - [ LED Engine Module(5), Primary Gasket(4), w/Snap Ring ( 2 ) ]
	<b>5: LED Engine Module-</b> ( Replaceable Module Only )
	<b>6: Housing</b>
	<b>7: Mounting Screws</b>
	<b>8, 9, 10: Power Kit</b> ( Replaceable ) - [ Power Cord Seal ( 8 ), Strain Relief Connector ( 9 ), 10' Power Cord ( 10 ) ]
	<b>10: Cord Only</b> ( Replaceable )
	<b>13: Hose Mount</b>
<b>14: 2-Way Soft Grip Mount</b>	
<b>Battery Pack &amp; Accessories:</b> See ( 3510 LED )	



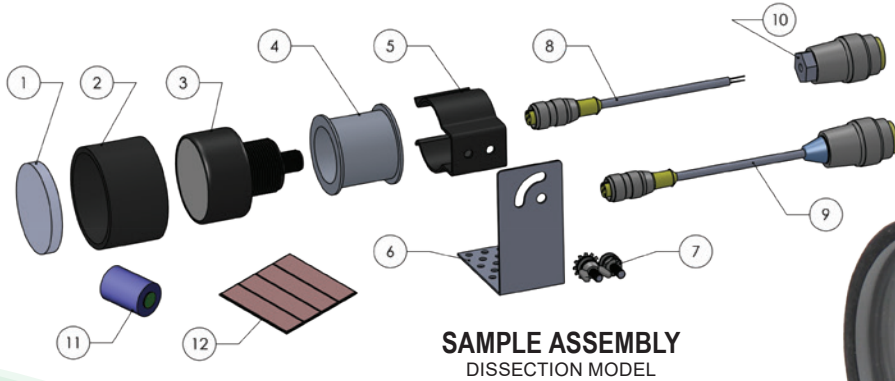
Western Technology, Inc. | Toll Free: (800) 654-5483  
 3517 Arsenal Way | Local: (360) 917-0080  
 Bremerton, WA 98312 | Fax: (360) 917-0083  
[www.WesternTechnologyLights.com](http://www.WesternTechnologyLights.com)

# MODEL 3510 LED

## Field Repairable LED Helmet Light



April 2018



**SAMPLE ASSEMBLY**  
DISSECTION MODEL



**SAMPLE BATTERY PACK**  
DISSECTION MODEL

Product Features	
<b>Light Output</b>	<ul style="list-style-type: none"> <li>▶ Light Output: 295 Lumens</li> <li>▶ Brightness @ 48": 3110 Lux @ 8.5" Diameter</li> </ul>
<b>Light Source</b>	<ul style="list-style-type: none"> <li>▶ Emitter Type: LED</li> <li>▶ Color Temperature: +5500K</li> </ul>
<b>Power</b>	<ul style="list-style-type: none"> <li>▶ Power Consumption: ~4 Watts</li> <li>▶ Voltage Range: 12-30 VDC</li> </ul>
<b>Housing</b>	<ul style="list-style-type: none"> <li>▶ Light Body: Cast Aluminum</li> <li>▶ Length: 2 3/4"</li> <li>▶ Width: 2 1/4"</li> <li>▶ Diameter: 2 5/8"</li> <li>▶ Weight: 20 oz.</li> </ul>
<b>Assembly &amp; Parts</b> (see Sample Assembly pic)	<ul style="list-style-type: none"> <li>▶ 1: Heat Treated Lens - [ 6 Pack of Replacement Lenses ]</li> <li>▶ 2: Helmet Light Lens Retention Sleeve</li> <li>▶ 3: LED Engine Module - [ Replaceable Module Only ]</li> <li>▶ 4: Helmet Light SB Clamp Adapter</li> <li>▶ 5, 6, 7: Mounting Kit ( Replaceable ) - [ Helmet Mounting Brackett (6), Hardware (7), Spring Clamp (5) ]</li> <li>▶ 9: 10' Power Cord w/ Connector ( Replaceable )</li> <li>▶ 10: Field Wireable Plug ( Replaceable )</li> <li>▶ 11: Brackett Adhesive</li> <li>▶ 12: Double-sided Mounting Strips</li> </ul>
<b>Battery Pack Assembly</b> (see Sample Battery Pack pic)	<ul style="list-style-type: none"> <li>▶ 1: 20V Li-ion Rechargeable Battery</li> <li>▶ 2: Battery Charger</li> <li>▶ 3: Battery Adaptor Belt</li> <li>▶ 4: Battery Adaptor w/ Belt Loop</li> <li>▶ 5: Utility Pouch w/ Belt</li> <li>▶ 6: Compact Battery Adaptor</li> <li>▶ 7: Replacement Field Wireable Plug</li> </ul>



Western Technology, Inc. | Toll Free: (800) 654-5483  
 3517 Arsenal Way | Local: (360) 917-0080  
 Bremerton, WA 98312 | Fax: (360) 917-0083  
[www.WesternTechnologyLights.com](http://www.WesternTechnologyLights.com)