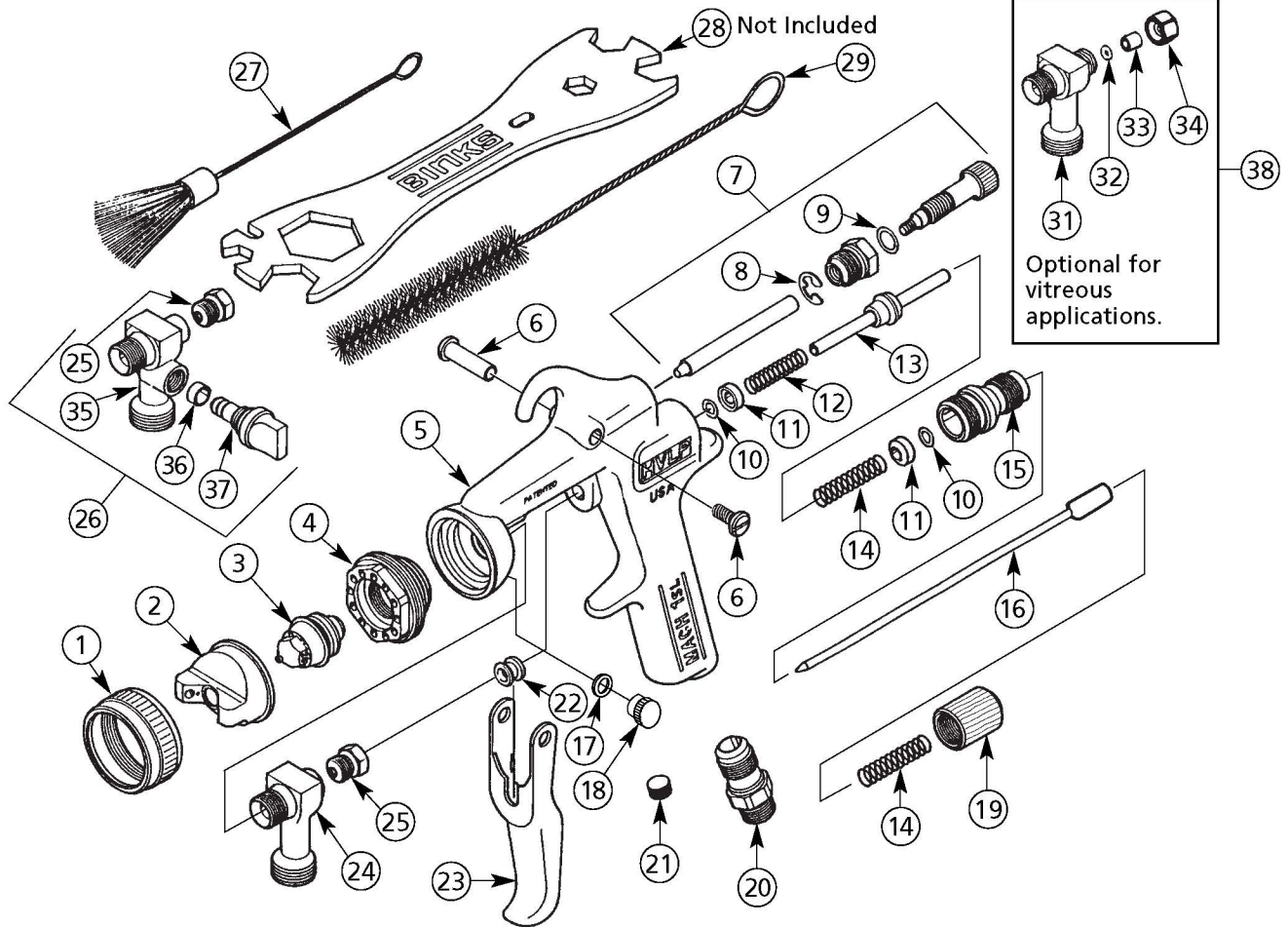


## Binks MACH 1SL, MACH 1SLA (ADJUSTABLE FLUID INLET), AND MACH 1SLV



### PARTS LIST

(When ordering, please specify Part No.)

ITEM NO.	PART NO.	DESCRIPTION	QTY.	ITEM NO.	PART NO.	DESCRIPTION	QTY.
1	54-3531	RETAINER RING (Metal).....	1	23	54-4360	TRIGGER .....	1
2	*	AIR NOZZLE .....	1	24	54-3742	FLUID INLET (Mach 1SL) .....	1
3	*	FLUID NOZZLE .....	1	25	54-4370▲	SEAL CARTRIDGE ASSEMBLY (Mach 1SL and Mach 1SLA).....	1
4	54-3543	HEAD INSERT .....	1	26	54-4330	ADJUSTABLE FLUID INLET ASSEMBLY (Mach 1SLA) .....	1
5	54-4339	GUN BODY ASSEMBLY .....	1	27	82-221	FLAT BRUSH .....	1
6	54-3919	TRIGGER STUD AND SCREW KIT .....	1	28	54-3918●	WRENCH (Not Included - Optional)	
7	54-4343	SIDE PORT CONTROL ASSEMBLY .....	1	29	82-469	GUN BRUSH .....	1
8	54-3511▲	RETAINING RING.....	1	30	54-4440●	QUICK CHANGE SIDE PORT CONTROL ASSEMBLY (Optional - Not Shown)	
9	20-6160▲	O-RING .....	1	31	54-4541●+†	FLUID INLET (Mach 1SLV) .....	1
10	20-4615▲	O-RING .....	2	32	20-2227●+▲	O-RING (Mach 1SLV) .....	1
11	54-3515	SEAL RETAINER.....	2	33	54-4531●+▲	SPACER (Mach 1SLV).....	1
12	54-3520▲*	SPRING (Yellow) .....	1	34	54-4542●+†	NUT ASSEMBLY (Mach 1SLV) .....	1
13	54-3512▲	SPINDLE ASSEMBLY .....	1		54-3871▲	GUNNERS MATE 3cc (Not Shown) .....	1
14	54-3518▲*	SPRING (Blue).....	2	35	54-4333	FLUID INLET .....	1
14a	54-4427*	HEAVY DUTY SPRING (Optional)		36	54-4337	PACKING SEAL .....	1
14b	54-3559*	S.S. SPRING (Optional)		37	54-4332	SEAL CARTRIDGE ASSEMBLY .....	1
15	54-3541	HOUSING .....	1	38	54-4540●	FLUID INLET ASSEMBLY (Mach 1SLV) ....	1
16	*	FLUID NEEDLE .....	1				
17	54-3925	GASKET .....	1				
18	54-3928	PLUG .....	1				
19	54-3606	FLUID VALVE CONTROL KNOB .....	1				
20	54-768	AIR CONNECTION.....	1				
21	20-2287	PLUG 1/8" NPT .....	1				
22	54-3513	VALVE SPINDLE CAP .....	1				

\* See Air and Fluid Nozzle Chart on page 5.

▲ Included in 54-4278 Spare Parts Kit.

● Optional - Order separately.

† For vitreous set-up.