

Model 2020: 4.0 cuft Blast Machine, Contractor 150 psi working pressure

Item Description	Stock No.	Wt.
4 cuft	21505	473
Includes		
1 1/2" Millennium remote controls		
Quantum all-media metering valve		
Abrasive trap		
RLX pneumatic handle		
Above Blast Machine	21545	469
with CPF-20 air filter w/pressure regulator and gauge		
4 cuft Blast Machine with Pressure-release Millennium remotes		
Pneumatic w/ACS	22554	493
12V electric	21509	503
12V electric w/ACS	22541	523
120V electric	21538	503
120V electric w/ACS	22543	523
4 cuft Blast Machine with Pressure-hold Quantum remotes and Abrasive Cut-Off (ACS)		
pneumatic	22545	483
12V electric	22547	513
120V electric	22549	513
2004-CA	21548	566
Includes: 21545 Blast machine, Apollo 60 HP (for use with compressed air) Respirator w/Cool-Air Tube, (25) Helmet outer lenses, 50 ft. respirator hose, CPF-20 breathing-air filter w/regulator and Accessory Package		

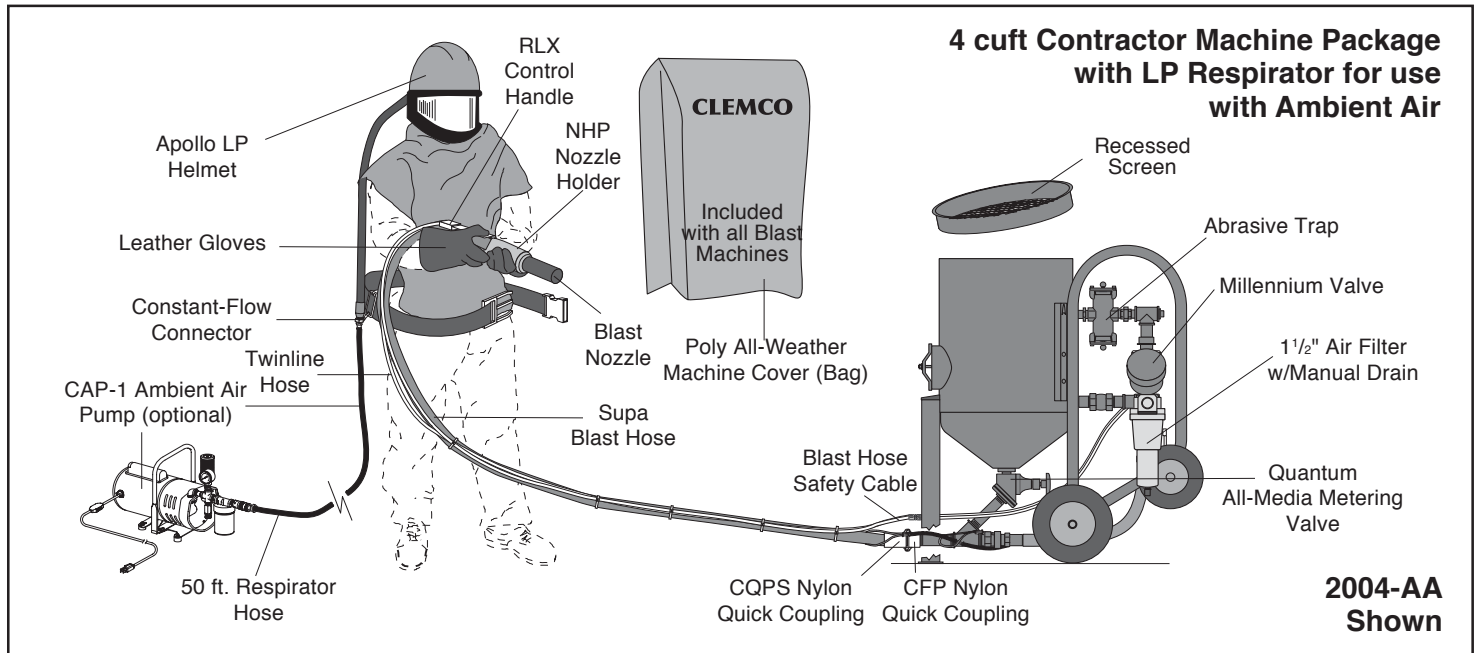
Item Description	Stock No.	Wt.
------------------	-----------	-----

Accessory Package

1 1/2" Air filter w/manual drain	22363	
50 ft x 1" Supa blast hose, coupled with NHP-1 nylon nozzle holder and CQPS-1 Nylon coupling	23480	
TMP-5 nozzle	23521	
Blast hose safety cable	15013	
Blast machine screen, 20"	20357	
Poly all-weather cover	15143	
Leather gloves, 1 pr.	02243	
Nylon ties, 8 ea.	02195	
CQGP-2 coupling gaskets, pk of 10	21584	
NW-25 nozzle washers, pk of 10 ...	91024	
Abrasive trap screens (6)	02012	

Options/Accessories

Steel blast machine cover, 20"	20358	9
Carbon monoxide alarm, CMS-2	22894	9
Blast suit, heavy cotton/leather S (08920), M (08921), L (08922), XL (08923)		5
Blast suit, seasonal cotton/nylon M (22914), L (22915), XL (22916), XXL (22917)		3
Remote control conversion kits (field installed) for Millennium pressure-release remotes		
ACS	22551	20
Pneumatic to Electric		
12V	21678	30
120V	21679	30



**2004-AA
Shown**

Model 2020: 4.0 cuft Blast Machine, Contractor 150 psi working pressure

Item Description	Stock No.	Wt.
4 cuft	21505	473

Includes
1 1/2" Millennium remote controls
Quantum all-media metering valve
Abrasive trap
RLX pneumatic handle

4 cuft Blast Machine with Pressure-release Millennium remotes

Pneumatic w/ACS	22554	493
12V electric	21509	503
12V electric w/ACS	22541	523
120V electric	21538	503
120V electric w/ACS	22543	523

4 cuft Blast Machine with Pressure-hold Quantum remotes and Abrasive Cut-Off (ACS)

pneumatic	22545	483
12V electric	22547	513
120V electric	22549	513

System

2004-AA	21841	566
Includes: 21505 blast machine, Apollo 60 LP (for use with ambient air) respirator w/Constant-Flow Connector, (25) Helmet outer lenses, 50 ft. respirator hose, and Accessory Package		

Item Description	Stock No.	Wt.
------------------	-----------	-----

Accessory Package

1 1/2" Air filter w/manual drain	22363	
50 ft x 1" Supa blast hose with NHP-1 nylon nozzle holder and CQPS-1 Nylon coupling	23480	
TMP-5 nozzle	23521	
Blast hose safety cable	15013	
Blast machine screen, 20"	20357	
Poly all-weather cover	15143	
Leather gloves, 1 pr.	02243	
Nylon ties, 8 ea.	02195	
CQGP-2 coupling gaskets, pk of 10	21584	
NW-25 nozzle washers, pk of 10 ...	91024	
Abrasive trap screens (6)	02012	

Options/Accessories

Steel blast machine cover, 20"	20358	9
Carbon monoxide alarm, CMS-2	22894	9
Ambient air Pump CAP-1 single operator	22383	65
Blast suit, heavy cotton/leather S (08920), M (08921), L (08922), XL (08923)		5
Blast suit, seasonal cotton/nylon M (22914), L (22915), XL (22916), XXL (22917)		3
Remote control conversion kits (field installed) for Millennium pressure-release remotes ACS	22551	20
Pneumatic to Electric 12V	21678	30
120V	21679	30

Create a Custom Blast Machine System

Select the appropriate stock numbers from each category:

Category 1: Blast Machine

**Model 2020: 4.0 cuft Blast Machine, Contractor
150 psi working pressure**

Item Description	Stock No.	Wt.
4 cuft	21505	473
Includes		
1 1/2" Millennium remote controls		
Quantum all-media metering valve		
Abrasive trap		
RLX pneumatic handle		

4 cuft Blast Machine with Pressure-release Millennium remotes

Pneumatic w/ACS	22554	493
12V electric	21509	503
12V electric w/ACS	22541	523
120V electric	21538	503
120V electric w/ACS	22543	523

4 cuft Blast Machine with Pressure-hold Quantum remotes and Abrasive Cut-Off (ACS)

pneumatic	22545	483
12V electric	22547	513
120V electric	22549	513

Category 2: Respirator/Breathing-Air Source

Respirator for use with compressed air beathing-air source

Apollo 60 HP with cool-air tube, 50 ft. respirator hose, and CPF-20 breathing-air filter	10514	36
--	-------	----

Respirator for use with ambient air beathing-air source

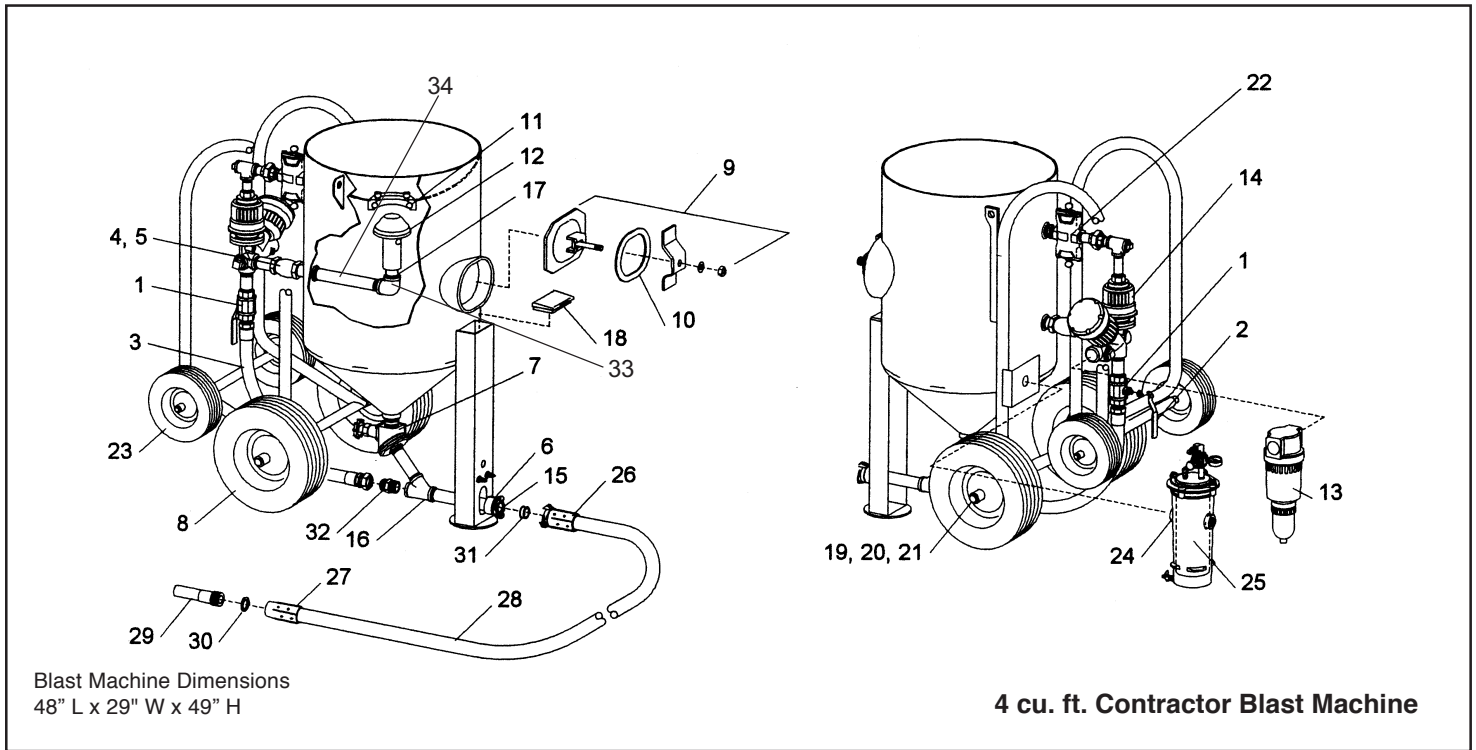
Apollo 60 LP with constant-flow connector, 50 ft. respirator hose	22082	22
--	-------	----

Ambient Air Pump

CAP-1 single operator	22383	65
CAP-4 four operators w/ frame ...	22530	175
with 2 wheel cart	22384	205

Category 3: Accessory Package

Item Description	Stock No.	Wt.
Accessory Package Complete	22552	100
Accessory Package consists of:		
1 1/2" Air filter w/manual drain	22363	
50 ft x 1" Supa blast hose, coupled with NHP-1 nylon nozzle holder and CQPS-1 Nylon coupling	23480	
TMP-5 nozzle	23521	
Blast hose safety cable	15013	
Blast machine screen, 20"	20357	
Leather gloves, 1 pr.	02243	
Nylon ties, 8 ea.	02195	
CQGP-2 coupling gaskets, pk of 10	21584	
NW-25 nozzle washers, pk of 10 ...	91024	
Abrasive trap screens (6)	02012	
Apollo 60 outer lenses, pk of 25	04361	



Model 2020: 4.0 cuft Blast Machine, Contractor 150 psi working pressure

Item Description	Stock No.	Wt.
1. 1 1/4" ball valve w/handle	02397	3
2. Ball valve handle	22532	<.5
3. Replacement flexible pusher line coupled hose only	23675	4
4. Compression coupling	01857	2
5. Compression coupling gasket	01886	<.5
6. Threaded quick coupling w/nipple	21734	2
7. Manual Quantum valve	22845	9
8. 12" wheel	20426	10
9. Inspection door assy	02377	7
10. Inspection door gasket	02369	.5
11. Pop-up valve seal	02325	.5
12. Pop-up valve	03699	5
13.* Air filter, (opt.)	22363	8
14. Millennium valve	21336	20
15.* CQGP-3 gasket, 10 pk.	08853	<.5
16. Wye std. 1 1/4"	01818	<.5
17. Pop-up valve guide	01753	1.5

Item Description	Stock No.	Wt.
18. Rain cap	21517	.5
19. Axle	02402	10
20. 1" thrust washer	03825	<.5
21. 1" retaining ring	03824	<.5
22. Abrasive trap	02011	4
23. 10" wheel	20349	6
24.* CPF-20 air filter (Used with HP respirator models).	03578	21
25.* Cartridge, CPF filter	03547	9
26.* Coupling, CQPS-1	21088	.5
27.* NHP-1 Nozzle holder	04106	.5
28.* Blast hose, 1" ID x 50 ft.	23104	
29.* Nozzle, TMP-5	23521	
30.* NW-25 washer, 10 pk	91024	<.5
31.* CQGP-2 gasket, 10 pk	21584	<.5
32. Adaptor 1 1/4" NPT	22529	<.5
33. Elbow, 1-1/4"	01769	<.5
34. 1 1/4" std. pipe x 8" nipple	01724	3
(-) * 20" dia. machine cover	20358	9
(-) * 20" dia. screen	20357	9
(-) * Flexible pusher line conversion kit	23876	5

* Optional Accessories.

Manual	
4 cuft Contractor	21941