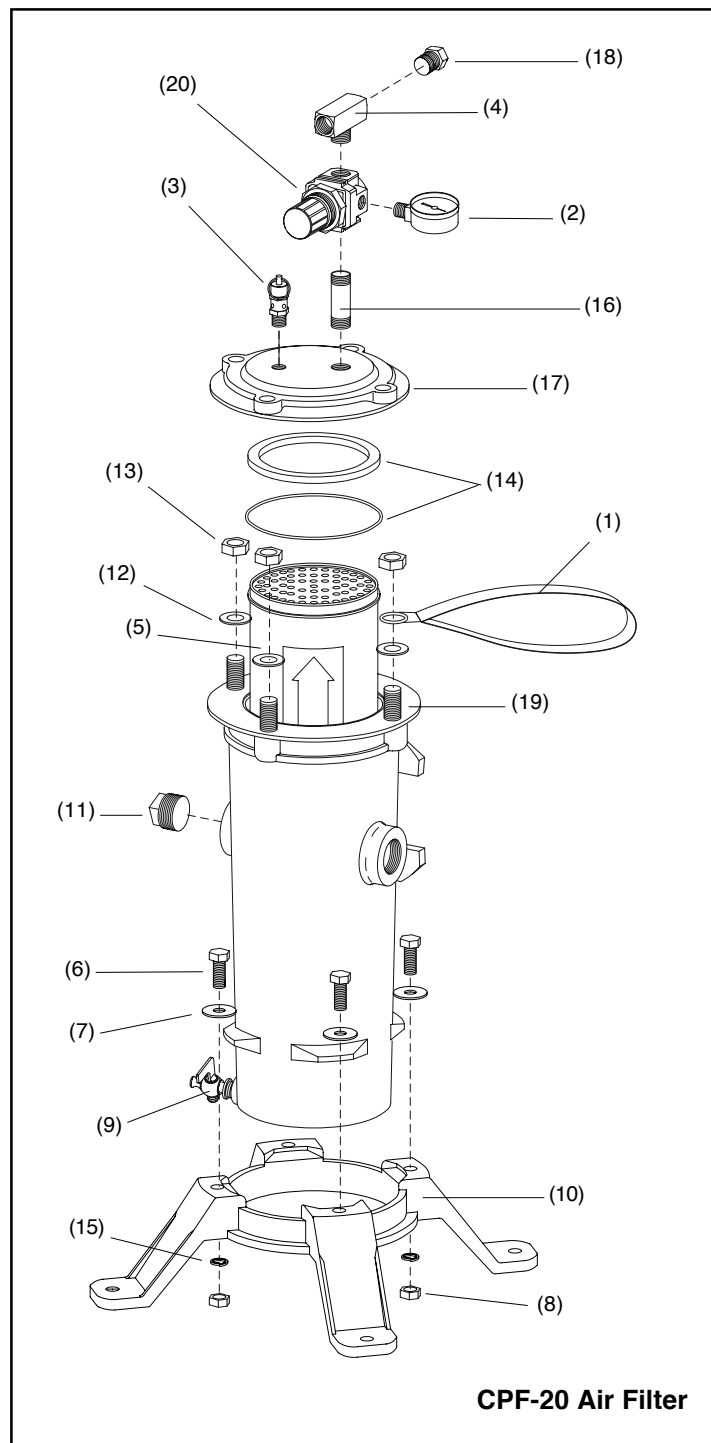


APPLICATION ALERT

CPF breathing air filters do not remove carbon monoxide (CO).

FOR ONE OR TWO RESPIRATORS

No.	Description	Stock No.	Wt.
(-)	CPF-20 Breathing Air Filter with regulator	03578	21
(-)	CPF-20 Breathing Air Filter without regulator	03577	19
(-)	Regulator kit includes items noted with asterisk	03582	1.5
(-)	Filter cartridge adaptor kit: permits use of 03547 air filter cartridge with filter models 41-AO, 41-P4, AAF	03569	1
1.	Handle (strap)	03623	<.5
2.	Pressure gauge	00024	<.5
3.	Pressure relief valve	01909	<.5
4.	*Tee, 3/8" NPT, male branch	22843	<.5
5.	Filter cartridge	03547	4
6.	3/8" NC x 1" hex head cap screw	03252	<.5
7.	Washer, 3/8" ID x 1 1/4" OD	03310	<.5
8.	3/8"-NC hex nut	03311	<.5
9.	1/4" petcock	01993	<.5
10.	Base bracket	03557	1
11.	Pipe plug, 1" NPT	03532	<.5
12.	1/2" SAE flat washer	03515	<.5
13.	1/2"-NC hex nut	03511	<.5
14.	Gasket and o-ring kit	08942	<.5
15.	3/8" dia. lock washer	03318	<.5
16.	Nipple, 3/8" NPT x 2", brass	03720	<.5
17.	Air filter cap	03584	2
18.	*Plug, 3/8" NPT, brass	03536	<.5
19.	Stud, filter cap	03545	<.5
20.	*Pressure regulator	03594	1

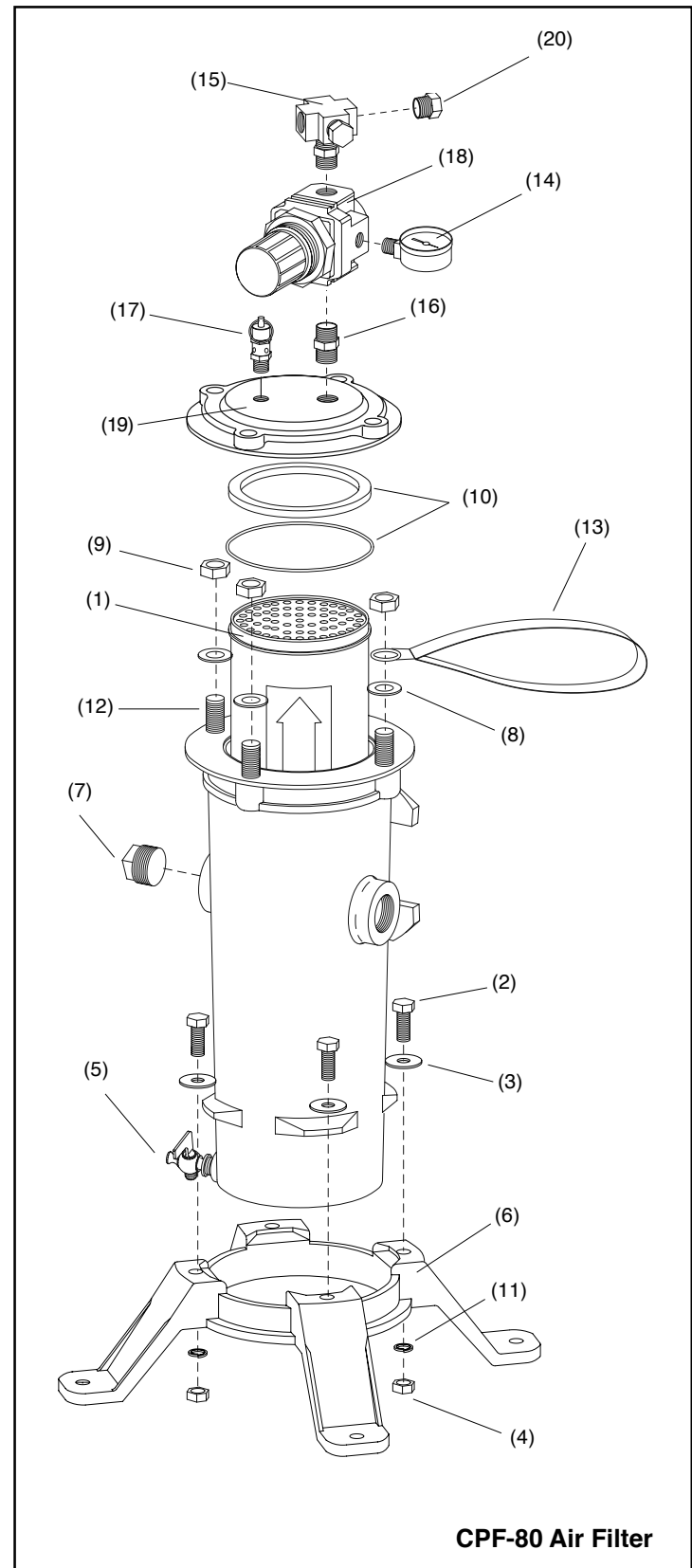


APPLICATION ALERT

CPF breathing air filters do not remove carbon monoxide (CO).

FOR ONE TO FOUR RESPIRATORS

Item Description	Stock No.	Wt.
(-) CPF-80 Breathing Air Filter with regulator	03527	22
(-) Filter cartridge adaptor kit: permits use of 03547 air filter cartridge on filter models 41-AO, 41-P4, AAF	03569	1
(-) Pressure regulator conversion kit: converts old style CPF 80 cap to new style. Includes: handle strap, cross manifold, nipple, pressure regulator and cap	23477	4
1. Cartridge, CPF filter	03547	4
2. Cap screw, 3/8"-NC x 1" hex head	03252	<.5
3. Washer, 1 1/4" OD	03310	<.5
4. Nut, 3/8"-NC	03311	<.5
5. Petcock, 1/4"	01993	<.5
6. Base bracket	03557	1
7. Plug, 1" NPT	03532	<.5
8. Washer, 1/2" SAE flat	03515	<.5
9. Nut, 1/2"-NC	03511	<.5
10. Gasket and O-ring kit	08942	<.5
11. Washer, 3/8" lock	03318	<.5
12. Stud, 1/2"-NC x 2"	03545	<.5
13. Handle strap	03623	<.5
14. Pressure gauge	00024	<.5
15. Cross manifold, 3/8" NPT	22941	<.5
16. Nipple, 3/8" NPT hex	03596	<.5
17. Relief valve, 1/4" NPT	01909	<.5
18. Pressure regulator, 3/8" NPT large body	22939	1
19. Cap, CPF filter	03584	2
20. Plug, 3/8" NPT brass	03536	<.5



CPF-80 Air Filter